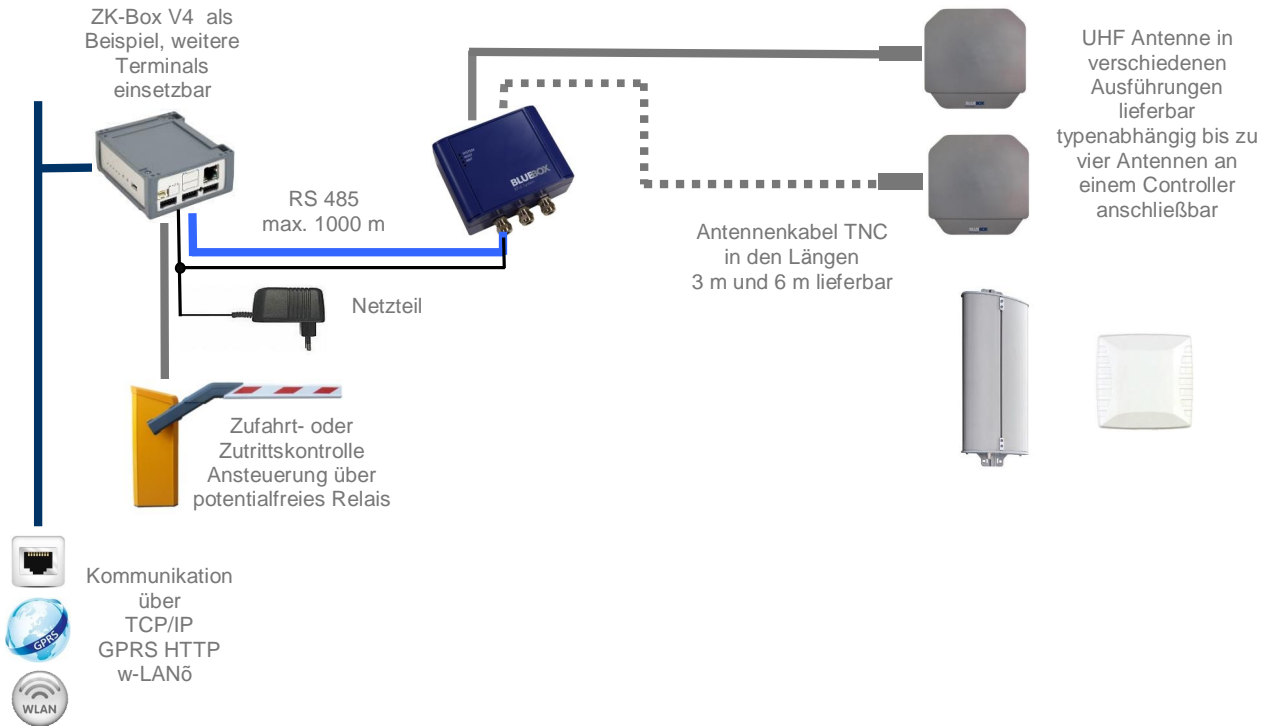
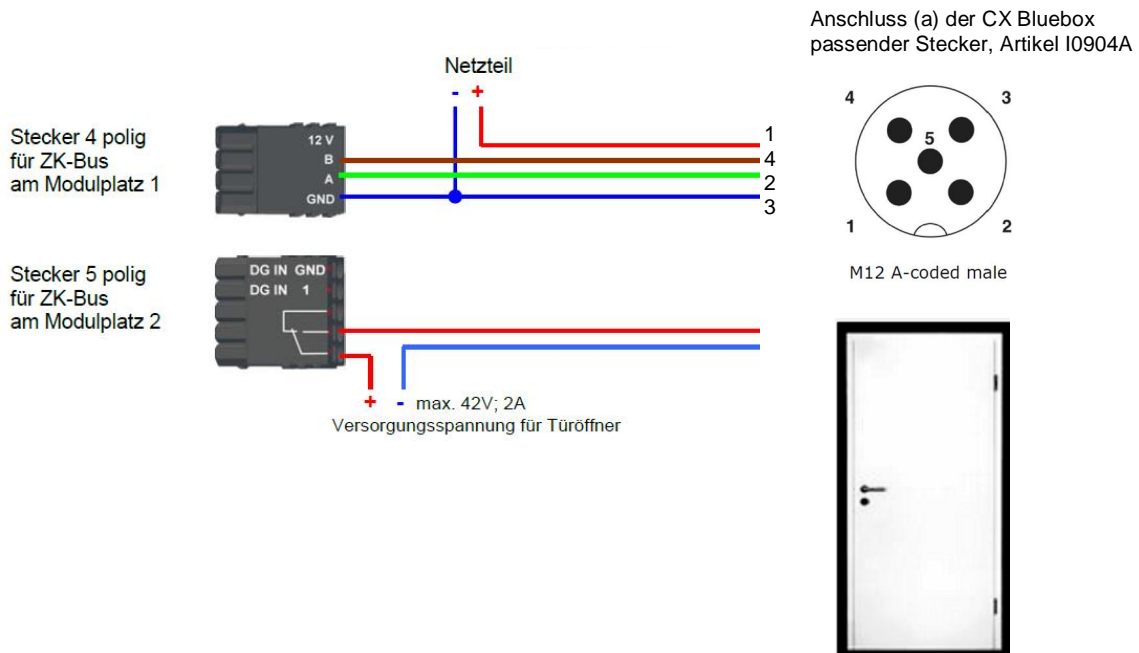
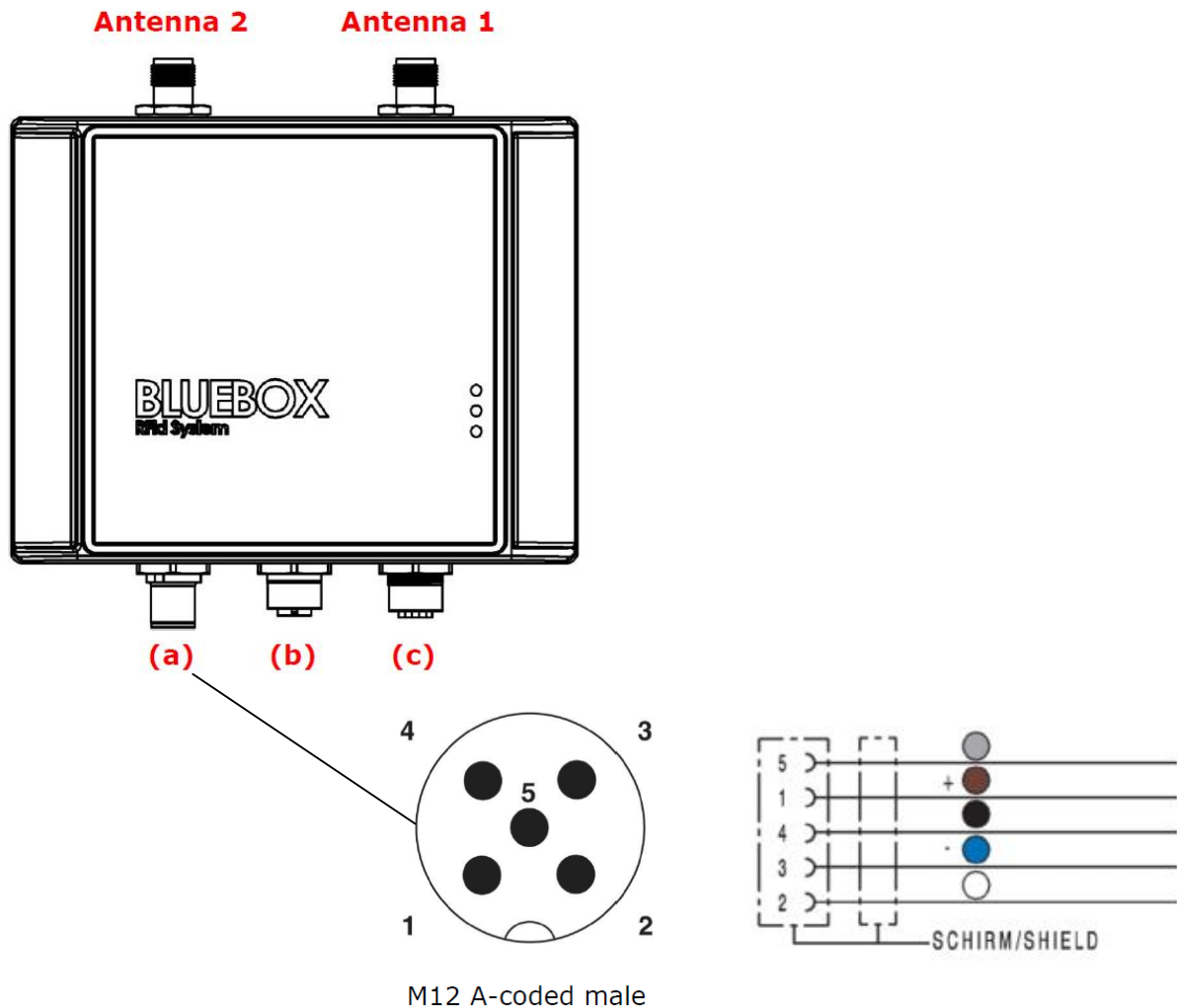


## 1. Systemaufbau



## 2. Anschlussbelegung





Pin	No	Min	Typico	Max	Descrizione
+ PWR	1	21.6Vdc	24Vdc	26.4Vdc	DC power supply
RS232-TXD	2				RS232 connection (to host)
- PWR (GND)	3				DC power supply return path
RS232-RXD	4				RS232 connection (from host)
PE	5				Protected Earth